

**RHP  
240**



## Meat grinding technology for economical production

The ground meat portioning line developed by REX has been adapted to the industrial product profiles and their requirements. The modular system can be adjusted quickly and individually for all customer needs. This feature makes the ground meat portioning line from REX an optimum economical production line solution, which improves the product quality of the ground meat.

A very important aspect of ground meat production is the grinding process. The pre-grounded product is exactly portioned by the filling machine and ground in the REX MC 3-3 meat grinder to the final grain and product size. The individual speed regulation of the grinder drive guarantees a perfect grind.

### Further advantages are obtained by:

- the gentle cutting system of the REX grinder technology, so that the product is not exposed to heat
- the vane-type conveyor optimally evacuates air from the product and provides for very exact portioning

The modular grinder heads MC 3-1 and MC 3-3 enable the use of a wide variety of cutting head variants. Optionally, the MC 3-1 can also be operated with a bone separator. The end-hole plate is fully customized to match the end customer's form size. Product widths from 60 to 220 mm are possible, with a large range of final grain sizes.

MC 3-3 incl. RHP 240



Grinding head MC 3-3



8 part separating set MC 3-3



## Ground meat portioning machine RHP 240 completes the line

The REX ground meat portioning machine RHP 240, which is connected to the filling machine and mounted on the meat grinder, transports the discharged product and cuts the portions exactly to the desired size. This process achieves an extremely accurate weight. The speed of the two transport belts, which operate independently of each other, can easily be adjusted to the productflow.

### Additional features:

- easy to operate
- paper dispenser unique hygienic design
- max. portioning capacity of up to 120 portions/min
- extremely accurate portioning of +/- 1 %
- fast and easy integration in line
- perfect system synchronization

### EGALIZE

through an exact portion accuracy



### per

perfect end product



### ESSENTIAL

a regular product output



### FLEXIBLE

individual adjustable portion sizes



### COMPATIBLE

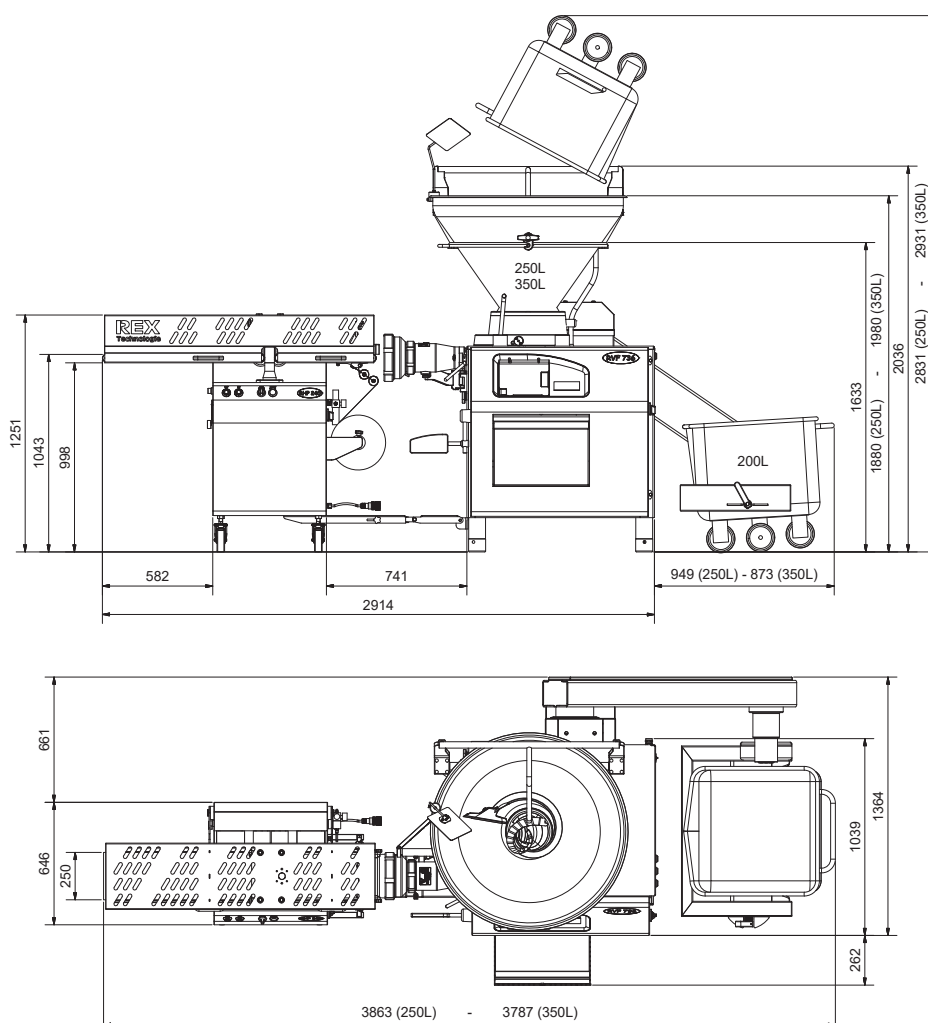
simple and quick line solutions



## Technical data

Filling machine models	RVF 736, 761
Portioning speed	up to max. 120 portions/min
Portioning accuracy	+/- 1%
Maximum product size	Width 220 mm, height 100 mm, length 500 mm
Minimum product size	Width 60 mm, height 20 mm, length 100 mm
Connected loads	1 kW, 3-phase, 10 ampere pre-fused
Compressed air connection	7 bar
Compressed air requirement	1.5 m <sup>3</sup> / hour
Paper	max. outer roll diameter: 300 mm
	max. inner roll diameter: 70 mm
	min. inner roll diameter: 25 mm
	max. roll width 240 mm
	can also be used without board reel
Net weight	200 kg

### ■ Scale drawing RVF 700 incl. RHP 240





REX Technologie GmbH & Co. KG  
Irlachstrasse 31 • A-5303 Thalgau  
Phone +43(0)6235-6116-0 • Fax +43(0)6235-6529  
E-Mail: [sales@rex-technologie.com](mailto:sales@rex-technologie.com)  
[www.rex-technologie.com](http://www.rex-technologie.com)

